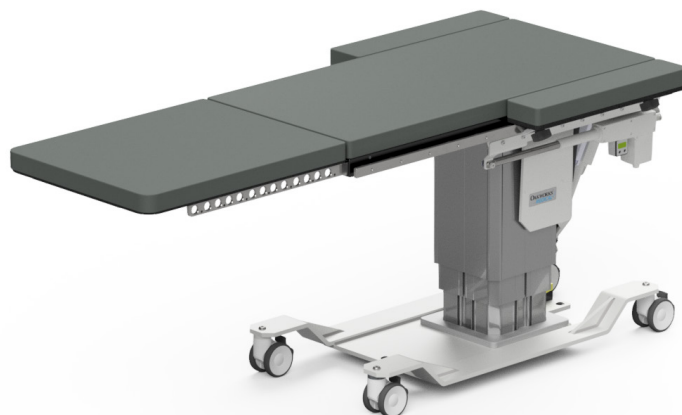
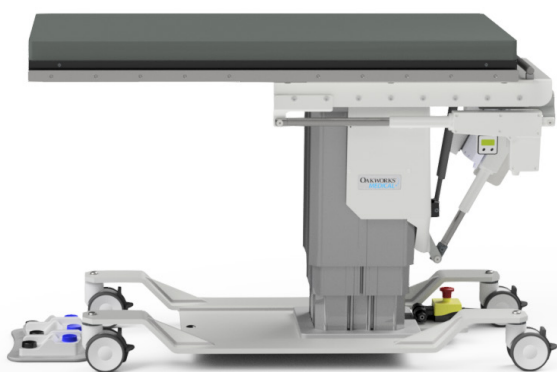


CFUR301 & CFUR401 Urology Imaging Tables



(Shown with patient transfer extension and lateral extensions)



(Shown with optional
knee crutches)

The Oakworks CFUR301 & CFUR401 are fully-functioning mobile urology tables, featuring motorized elevation, trendelenburg tilt, longitudinal travel and lateral travel (CFUR401 only).

- Generous radiolucent imaging area for greater anatomic coverage
- Trouble free C-Arm access
- Patients can be safely positioned and supported up to 500-pounds capacity

Motions

- Motion 1 - Height Range 18"
- Motion 2 - Trendelenburg Tilt +15/-11°
- Motion 3 - Longitudinal Travel 10"
- Motion 4 - Lateral Travel 8" (CFUR401 ONLY)

Features

- Carbon fiber top with 19"W x 24"L imaging area
- Comes with Patient Transfer Extension and 2 adjustable lateral extensions
- Warranty is 3 years parts and 2 years labor

SPECIFICATIONS

- Large lifting column creates very stable platform
- 3 and 4 motion models
- 500 lb patient weight capacity
- Warranty: 3 years parts, 2 years labor

CFUR301 #83868

CFUR401 #83867

INCLUDED FEATURES	
Carbon Fiber Top	23" W x 47" L Total surface area 19" W x 25" L Metal free imaging space
CFUR301 MOVEMENTS	
Motion 1	Electric Height Range 26" - 44" (66-111cm) w/o pad
Motion 2	Electric Trendelenburg tilt +15°/-11°
Motion 3	Electric Longitudinal travel 10" (25cm)
CFUR401 MOVEMENTS	
Motion 1	Electric Height Range 26" - 44" (67-114cm) w/o pad
Motion 2	Electric Trendelenburg tilt +15°/-11°
Motion 3	Electric Longitudinal travel 10" (25cm)
Motion 4	Electric Lateral travel 8" (20cm)
Controls	Multi-function hand control + foot control
Weight Capacity	500 lb (227kg) Each Extension: 200 lb (91kg)
Product Weight	CFUR301 - 568 lb (258kg) CFUR401 - 590 lb (268kg)
Lateral Extension	(2) 5" x 24" (12cm x 61cm)
Patient Transfer Extension	(1) 23" x 28" (58cm x 71cm) (Radiolucent)
Included Features	2" (5cm) Radiolucent Comfort Foam™ table top pad, 4" (10cm) locking casters, Digital angle gauge, patient restraint straps (2), US standard full length T-rails on each side, Urology bag hoop
Warranty	3 years parts, 2 years labor
Safety Listings	FDA listed, CE marked, cETLus listed, CB Certificate

OPTIONS <i>must be ordered with table.</i>	
Non-USA electrical systems	Please inquire

ACCESSORIES <i>order any time. See accessories on pages 34-39.</i>		#
Protective Drape	Clear PVC - attaches to T-rail	69390

FEATURES

PATIENT TRANSFER EXTENSION

Easily removed and installed, radiolucent with 200lb weight rating on the extension alone



UROLOGY BAG HOOP

Table comes with hoop and clamps to t-rails. (bags not included)



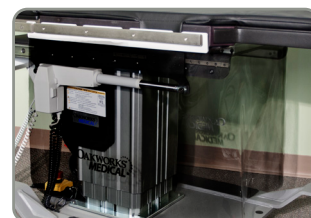
DIGITAL GAUGE

Provides accurate read out of trendelenburg setting



PROTECTIVE CLEAR PVC DRAPE (Accessory)

Helps keep clean up to a minimum. Flexible and transparent design maximizes C-Arm positioning possibilities. Clips to T-rail.



POSITIONING ACCESSORIES

Please inquire regarding availability of accessories.



Contact Oakworks
717.759.3146
www.oakworksmed.com
medsales@oakworks.com

